

# Cemetery headstone and memorial specifications

OCTOBER 2015 ■ ■ ■

**There are specifications and requirements for monuments erected in all of Waikato District Council's cemeteries.**

**It is important to adhere to these specifications as any that do not comply will be removed. Please note this does not apply to those monuments erected prior to 27 August 2012.**

**For the purposes of these specifications, 'monument' includes any tombstone, headstone, memorial, kerbing, or other erection.**

*Monuments must meet NZS 4242 Headstone and Cemetery Monuments Standard and Cemetery and Crematorium Bylaw. Please contact the Council to check that your headstone/memorial is compliant.*

---

## ■ Monuments

---

- A monument permit must be obtained from the council prior to installation of either a new or replacement monument.
- No permit will be issued unless the memorial design complies with the Council's standards and NZS 4242 as outlined in these specifications.
- Only a Council-approved monumental stonemason is permitted to install, remove or reinstate a memorial or headstone, with installation to a professional finish in accordance with NZ Standards 4242.

- For a list of Waikato District Council-approved monumental stonemasons or to become a Council approved monumental mason please contact the Council's Cemetery Officer.
- Only one structure is permitted on each plot.
- No-one is permitted to install, remove or reinstate a memorial plaque or headstone without first applying for and obtaining a permit. Permit applications are available on the Council's website.
- Installations that do not meet a satisfactory standard or comply with these specifications, or compromise the Occupational Safety and Health (OSH) regulations will be removed by the council.
- A relative or trustee is responsible for the ongoing maintenance, including repair, of the memorial.

---

## ■ Burial berm and monument measurements

---

In all cemeteries, the measurements outlined over the page will apply.

Note that if a statue or similar item is attached to the monument or headstone, and the combination exceeds the allowed dimensions, the monument will be considered non-compliant and the family will be asked to remove it.

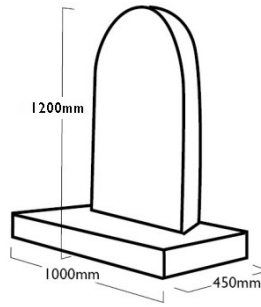
## ■ Headstones

### Adult and stillborn headstones

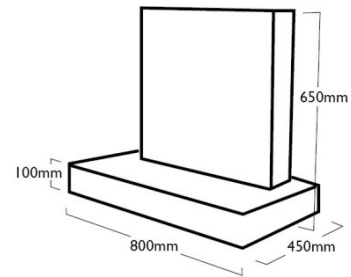
- Maximum Height 1200mm
- Maximum Width 1000mm
- Maximum Depth 450mm

These specifications apply to all Cemeteries

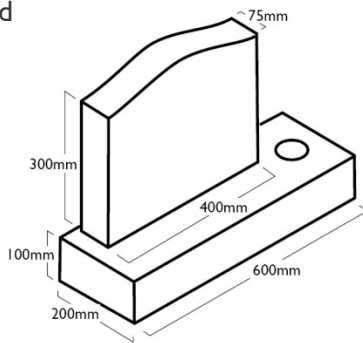
Adult graves



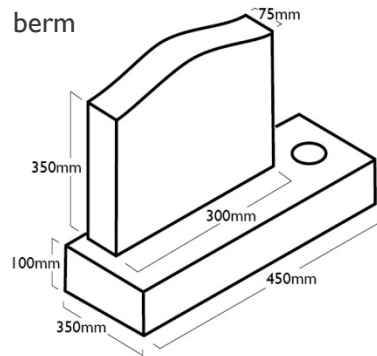
Stillborn and infants



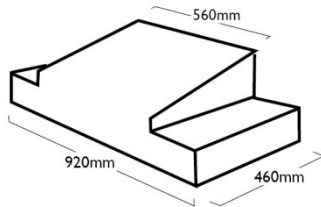
Octagonal berms and standard



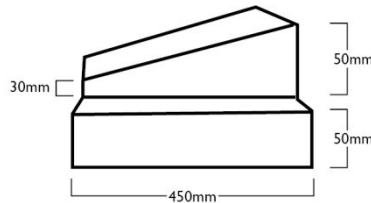
Whatawhata ashes berm



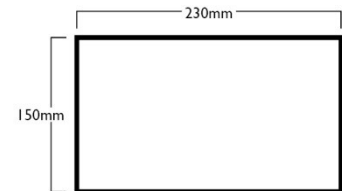
Raised Plaque



Northern Waikato ashes berm



Memorial walls (plaques only)



### Waeranga and Gordonton Ashes Berms (plaques only)

- Waeranga – 250mm x 200mm
- Gordonton 150mm x 230mm

### Taupiri Memorial Wall (plaques only)

- 150mm x 230mm

### Gordonton Memorial Wall (plaques only)

- 150mm x 200mm